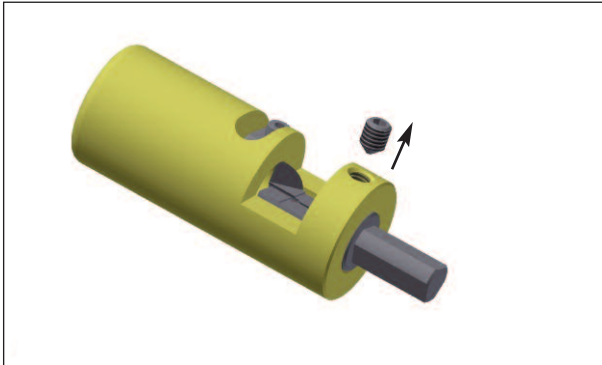
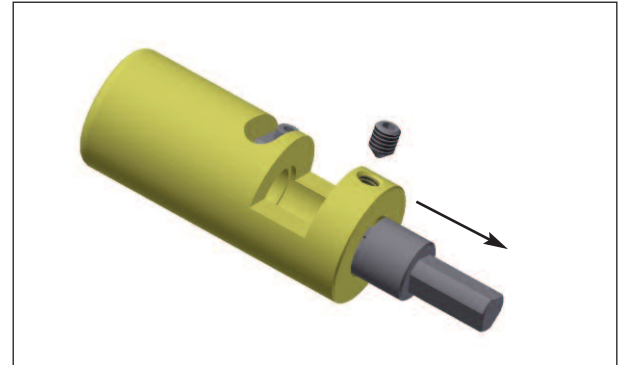


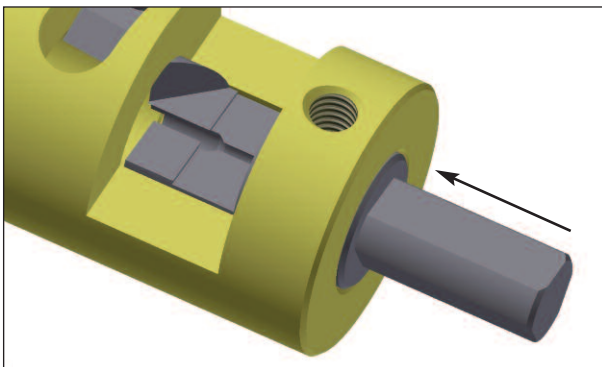
To replace the optionally available replacement blade (central cutting knife) on the SPTC50B12X or SPTC50BL12X, proceed as follows:



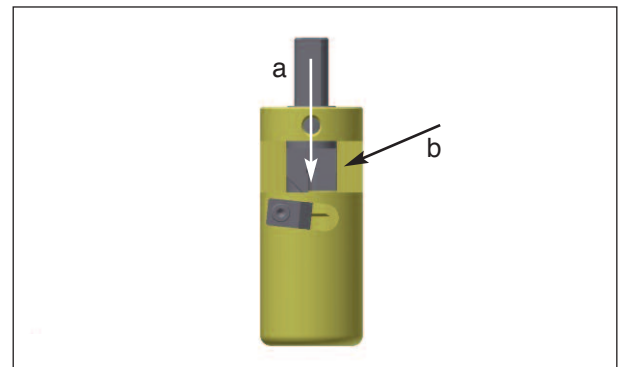
1. Loosen the screw



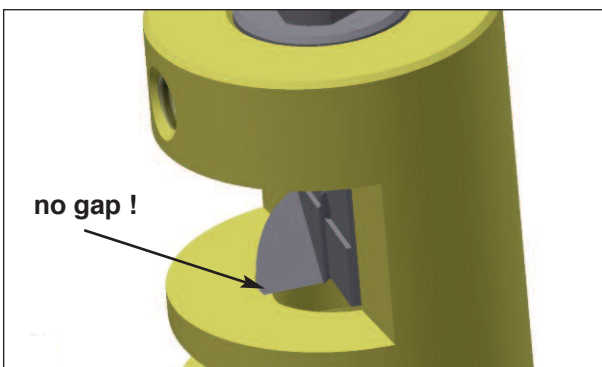
2. Remove the cutter from the body



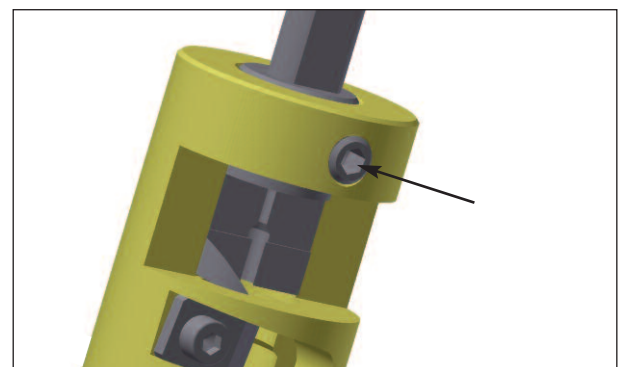
3. Slide the new cutter into the body



4. Hold the body and slide the cutter against it. Rotate the cutter to align it with the body



5. Take care that the cutter is well pressed against the body



6. Tighten the screw firmly to secure the cutter

Tool	Central cutting knife part number
------	--------------------------------------

- | | |
|---------------|-----------|
| • SPTC50B12X | A 255 996 |
| • SPTC50BL12X | C 741 996 |