



# INSTALLATION INSTRUCTION

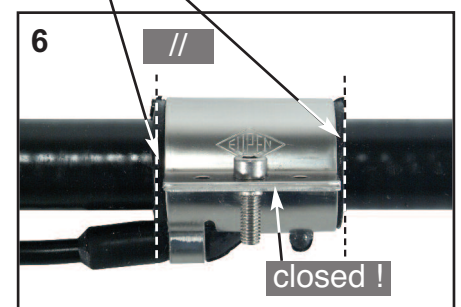
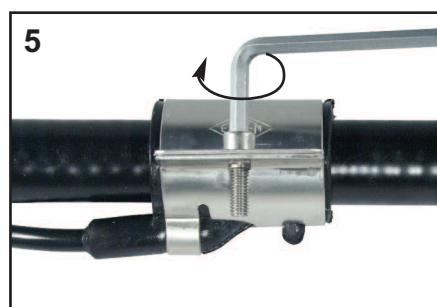
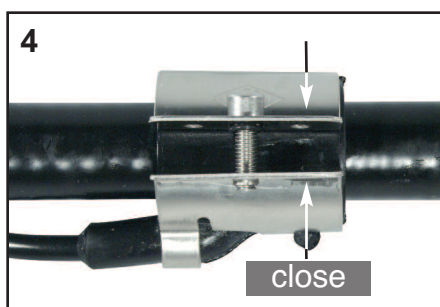
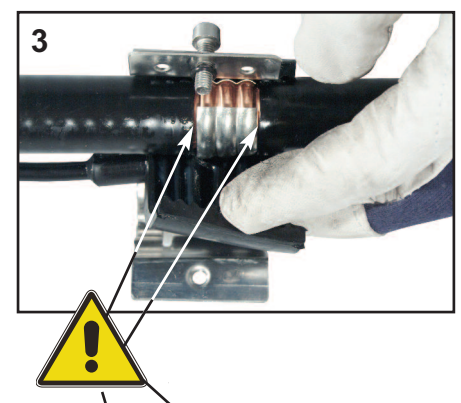
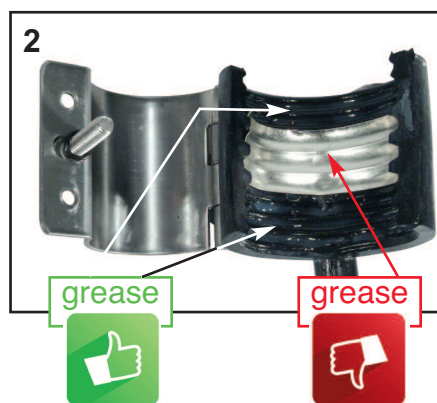
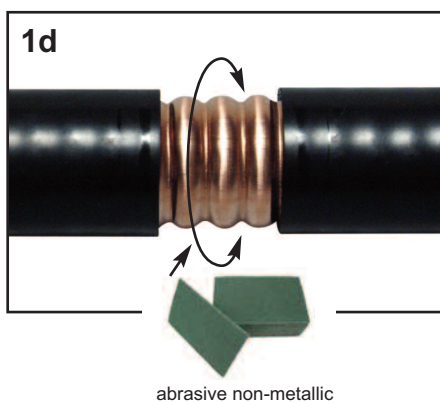
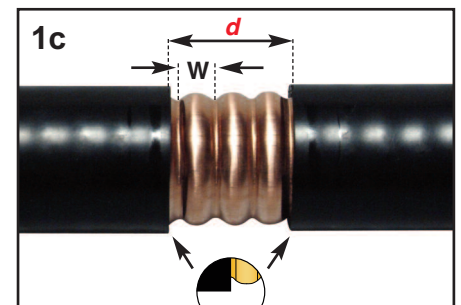
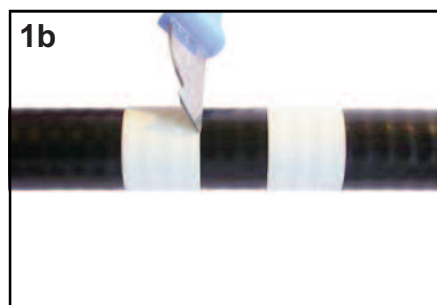
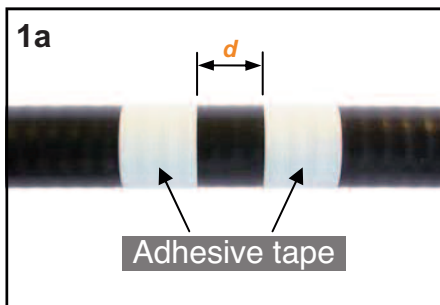
## for grounding clamp "GCS"

# GCS Grounding Clamps



	13 mm
	5 & 6 mm

Reference	Size	Cable type	Cutting width $d$ [mm]
• GCS RG213/RG8	8 mm	RG 213, RG 8, 213RT5, EC400	<b>24</b>
• GCS RG214	8.5 mm	RG 214	<b>24</b>
• GCS 14	1/4"	5062	<b>24</b> (7 x W)
• GCS 38	3/8"	5088	<b>20</b> (5 x W)
• GCS 12X	1/2"-HIFLEX	5092	<b>24</b>
• GCS 12 PAR	1/2"	5128, 5127	<b>25</b> (5 x W)
• GCS 78 PAR	7/8"	5228 A, 5228 X, 5228, 5227	<b>21</b> (3 x W)
• GCS 114 PAR	1-1/4"	5328 A, 5328 X, 5328 GL, 5327	<b>26</b> (3 x W)
• GCS 158 PAR	1-5/8"	5438 A, 5438, 5437	<b>30</b> (3 x W)





# INSTALLATION INSTRUCTION for grounding clamp "GCS"

Kabelwerk **EUPEN** AG

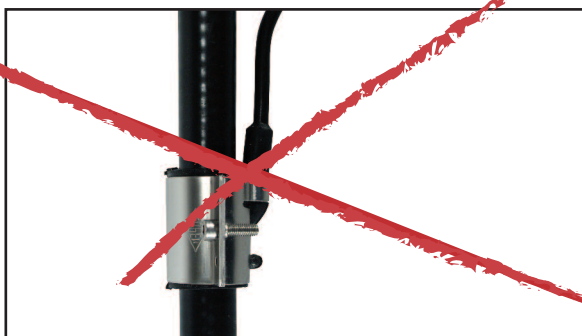
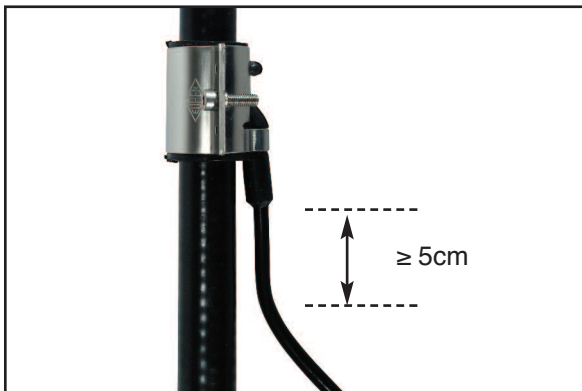
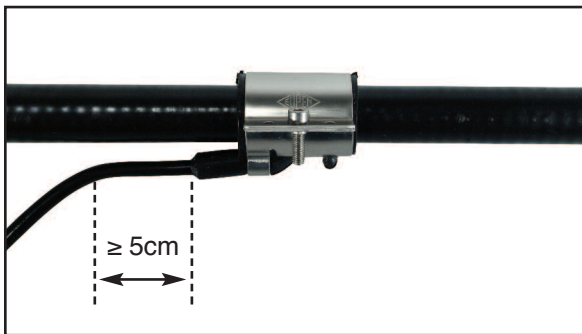
Rev.: 07/2018-03-20

cabLe

2/2

## GCS Grounding Clamps

### GCS ... PAR:



### Other GCS:

