

Hook Hanger

PRODUCT DESCRIPTION

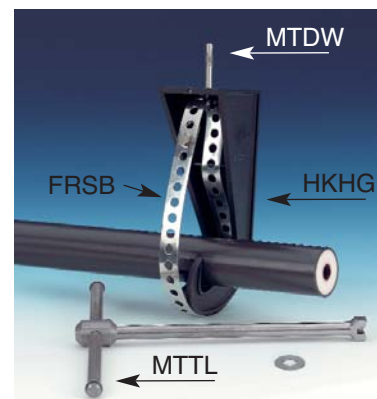
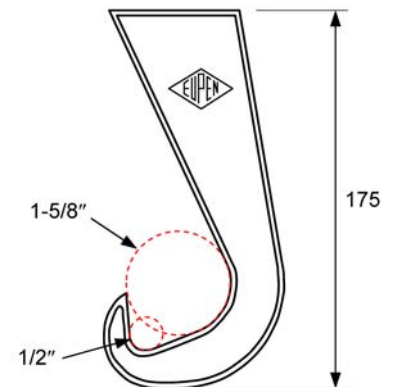
The Hook Hanger (Durethan Hanger HLFH) is used for installing Radiating Cables in galleries or tunnels. The optimal distance to the wall is maintained and the hanger is universally for all cable sizes (1/2" to 1-5/8").

FEATURES and BENEFITS

- Universally for all cable sizes
- No spacer required
- Suitable for ceiling or wall mount

TECHNICAL DATA

• Material		Durethan® (PA 6)
• Burning behavior		according to UL 94 V-0, halogen free
• Color		black (RAL 9005)
• Overall dimensions	mm	175 x 85
• Cable diameter	mm	15 to 50
• Maximum load		
- Ceiling mount	daN	100
- Wall mount	daN	20
• Weight	kg	0.115



PRODUCT OVERVIEW

Product reference	Contents	Part Number
• HKHG	Hook hanger Plastic cable tie Metal washer (no screw, no dowel)	C508996
Other parts for HKHG*	Contents	Part Number
• PLDW	Plastic dowel (Ø6 mm) with HPS hammer screw	4795996
• MTDW	Metallic HSA stud anchor (M6, V4A)	4798996
• FRSB	Fire resistant stainless steel belt (V4A)	D669996
• PLTL	Installation tool for HKHG with PLDW	4806996
• MTTL	Installation tool for HKHG with MTDW	4807996

* must be ordered separately