



DATA SHEET

50 Ohm Accessories

Kabelwerk **EUPEN** AG

DSHA-Rev01/2007-06-21

cable

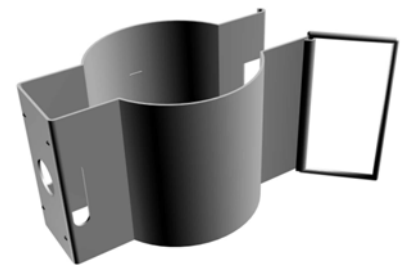
Hangers

The different hanger types are designed for quick and easy installation. The hangers provide a dependable solution for supporting single runs of coaxial cable in wireless systems. To install, the installer mounts the hanger to the tower member, inserts the coaxial cable and locks it safely. Corrosion resistant stainless steel construction ensures long term integrity in environmental extremes.

CLIP HANGERS

The Clip Hangers are designed for easy installation. The clip-type locking mechanism is easily latched to hold the coax firmly in place. The Clip Hangers are slotted to accept round member adapters or banding strap for mounting to round tower members.

•Application :	Coax Support
•Mounts to :	7/16" (11.1 mm) pre-punched hole
•Design :	Clip-on single run hanger
•Material :	Stainless steel
•Feature :	Easy-to-install solution



Reference	Cable type	Contents	Kit Qty.	Part#
•EU-CH12-NH	1/2"	Hanger*	Kit of 10	D977996
•EU-CH78-NH	7/8"	Hanger*	Kit of 10	E546996
•EU-CH114-NH	1-1/4"	Hanger*	Kit of 10	F743996
•EU-CH158-NH	1-5/8"	Hanger*	Kit of 10	F663996

* Hanger hardware not included, order separately

UNIVERSAL SNAP-IN HANGERS

The Snap-in Hangers simplify coax installation by eliminating the need for mounting hardware and installation tools. They are designed for an easy insertion into 3/4"(19 mm) mounting holes.

•Application :	Coax Support
•Mounts to :	3/4" (19 mm) hole
•Design :	One-piece single run hanger
•Material :	Stainless steel
•Feature :	Simplifies coax installation



Reference	Cable type	Contents	Kit Qty.	Part#
•EU-SH-U12	1/2"	Hanger	Kit of 10	A282996
•EU-SH-U78	7/8"	Hanger	Kit of 10	A264996
•EU-SH-U114	1-1/4"	Hanger	Kit of 10	A267996
•EU-SH-U158	1-5/8"	Hanger	Kit of 10	A284996





DATA SHEET

50 Ohm Accessories

Kabelwerk | **EUPEN** AG

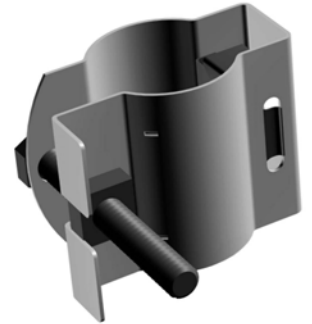
DSHA-Rev01/2007-06-21

cable

BUTTERFLY HANGERS

The Butterfly Hangers provide a dependable fixing system. The captivated bolt allows to quickly tighten the hanger around the coax without dropping hardware during installation. The Butterfly Hangers are slotted to accept round member adapters or banding strap for mounting to round tower members.

•Application :	Coax Support
•Mounts to :	7/16" (11.1 mm) pre-punched hole
•Design :	Bolt-on single run hanger
•Material :	Stainless steel
•Feature :	Traditional hanger solution



Reference	Cable type	Contents	Kit Qty.	Part#
•EU-BH12-NH	1/2"	Hanger + set bolt*	Kit of 10	F589996
•EU-BH78-NH	7/8"	Hanger + set bolt*	Kit of 10	F704996
•EU-BH114-NH	1-1/4"	Hanger + set bolt*	Kit of 10	G640996
•EU-BH158-NH	1-5/8"	Hanger + set bolt*	Kit of 10	C833996

* Hanger hardware not included, order separately

STANDARD HANGERS

The Standard Hangers provide a dependable fixing system. The coax is quickly slipped into the hanger and then secured using the included captivated bolt. The Standard Hangers are slotted to accept round member adapters or banding strap for mounting to round tower members.

•Application :	Coax Support
•Mounts to :	7/16" (11.1 mm) pre-punched hole
•Design :	Pre-formed bolt-on single run hanger
•Material :	Stainless steel
•Feature :	Reduced installation time



Reference	Cable type	Contents	Kit Qty.	Part#
•EU-BH-S12-NH	1/2"	Hanger + set bolt*	Kit of 10	on request
•EU-BH-S78-NH	7/8"	Hanger + set bolt*	Kit of 10	on request
•EU-BH-S114-NH	1-1/4"	Hanger + set bolt*	Kit of 10	on request
•EU-BH-S158-NH	1-5/8"	Hanger + set bolt*	Kit of 10	on request

* Hanger hardware not included, order separately

PRODUCT REFERENCES

...-CH...	Clip Hanger
...-SH-U...	Snap-in Hanger - Universal
...-BH...	Butterfly Hanger
...-BH-S...	Butterfly Hanger - Standard
...-NH	No Hardware

