



SKH Radiating Cable clamps

PRODUCT DESCRIPTION

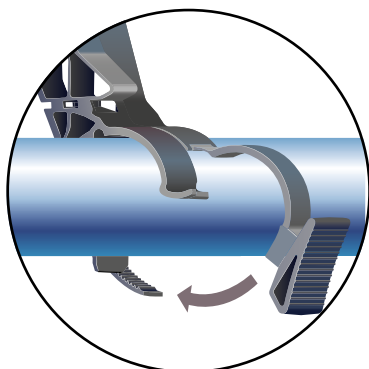
Single piece clamp for secure mounting of radiating cables to the wall or ceiling.

FEATURES

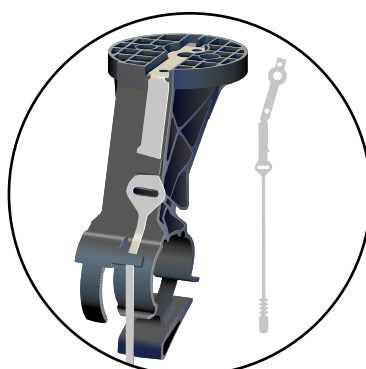
- Only one single piece
- Fast mounting – time saving
- Standard wall distance of 80 mm
- Fire resistant metal band
- No additional tools necessary
- Sizes for 1/2", 7/8", 1-1/4" and 1-5/8"
- Suitable for tunnels in which high-speed trains run at speeds of up to 350 km/h



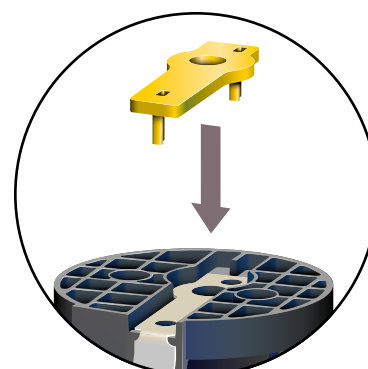
SKH



Sophisticated patented closure system that does not require additional screws



Integrable fire safety solution



Isolation plate against radiation losses

Type	Art-Nr	Size min.	Size max.	Operation temperature	Material	Fire Class
SKH12	S547	13,7 mm	16,2 mm	-20 to +90 °C	Halogen & UV resistant black, UV resistant Pa	UL 94 HB
SKH78	S548	26,5 mm	29,5 mm			
SKH114	S549	37,0 mm	39,0 mm			
SKH158	S550	44,2 mm	50,0 mm			

SUITABLE for HIGH-SPEED TUNNELS

The SKH is suitable for use in railway tunnels with high-speed traffic. Due to its ribbed construction and the use of a plastic material with superior elasticity of expansion, the fatigue strength of the SKH can be guaranteed in tunnels with a cross-section $A \geq 41 \text{ m}^2$.



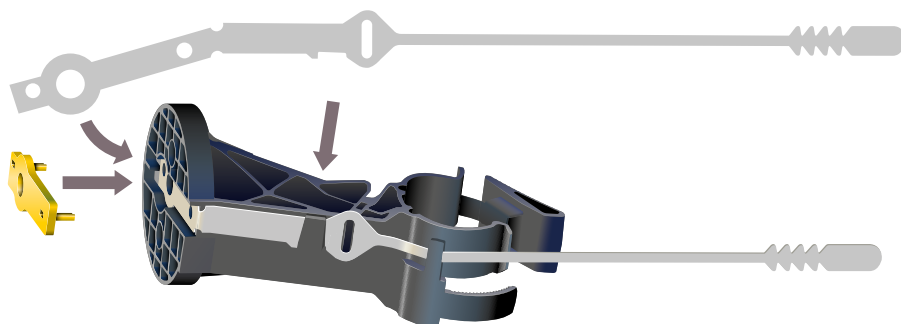
SKH Radiating Cable clamps

FIRE SAFETY DEVICE (FSB) and ISOLATION PLATE (IPL)

Every SKH can be extended to a fire-safe installation by inserting the FSB stainless steel fire safety strap. This eliminates the need for a separate fire safety point. The FSB has been designed to reduce the radiating power losses (PIM value) of the radiating cable to an absolute minimum.

The IPL isolation plate galvanically separates the FSB fire safety strap from the mounting surface as well as from the metal anchoring.




„Earthing“ of the fire safety strap, which encloses the radiating cable when mounted, is prevented and so, consequently, is any conduction of the transmitted signal.



Insertion sketch of the fire safety strap IPL isolation plate.

Type	Art-Nr	Material	Fire resistance EN 1363-1 50N load	Fire resistance EN 1363-1 100N load
FSB12	S551	EN 10088 1.4401 A4	> 75 minutes	> 45 minutes
FSB78	S552			
FSB114	S553			
FSB158	S554			
IPL	included in FSB	PP	—	—

STANDARD FASTENING MATERIAL*

Art-Nr		
V206	Tilca Anchor N-K 6 x 44	
S806	Tilca A4 Stud Anchor 6 x 49 mm	
U796	Tilca Setting Tool 6 x 205	
S787 & S788	Pan-Head A4 screw 4.5 x 55 mm + Concrete Dowel 6 x 50	

* For other fastening options, please consult us.